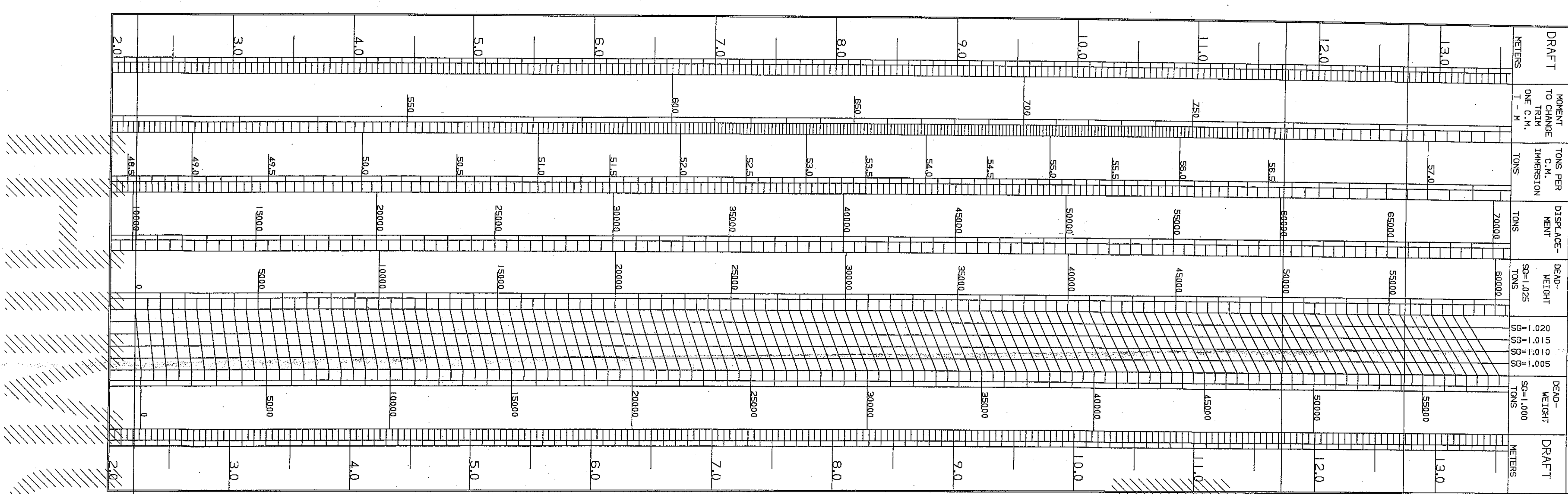


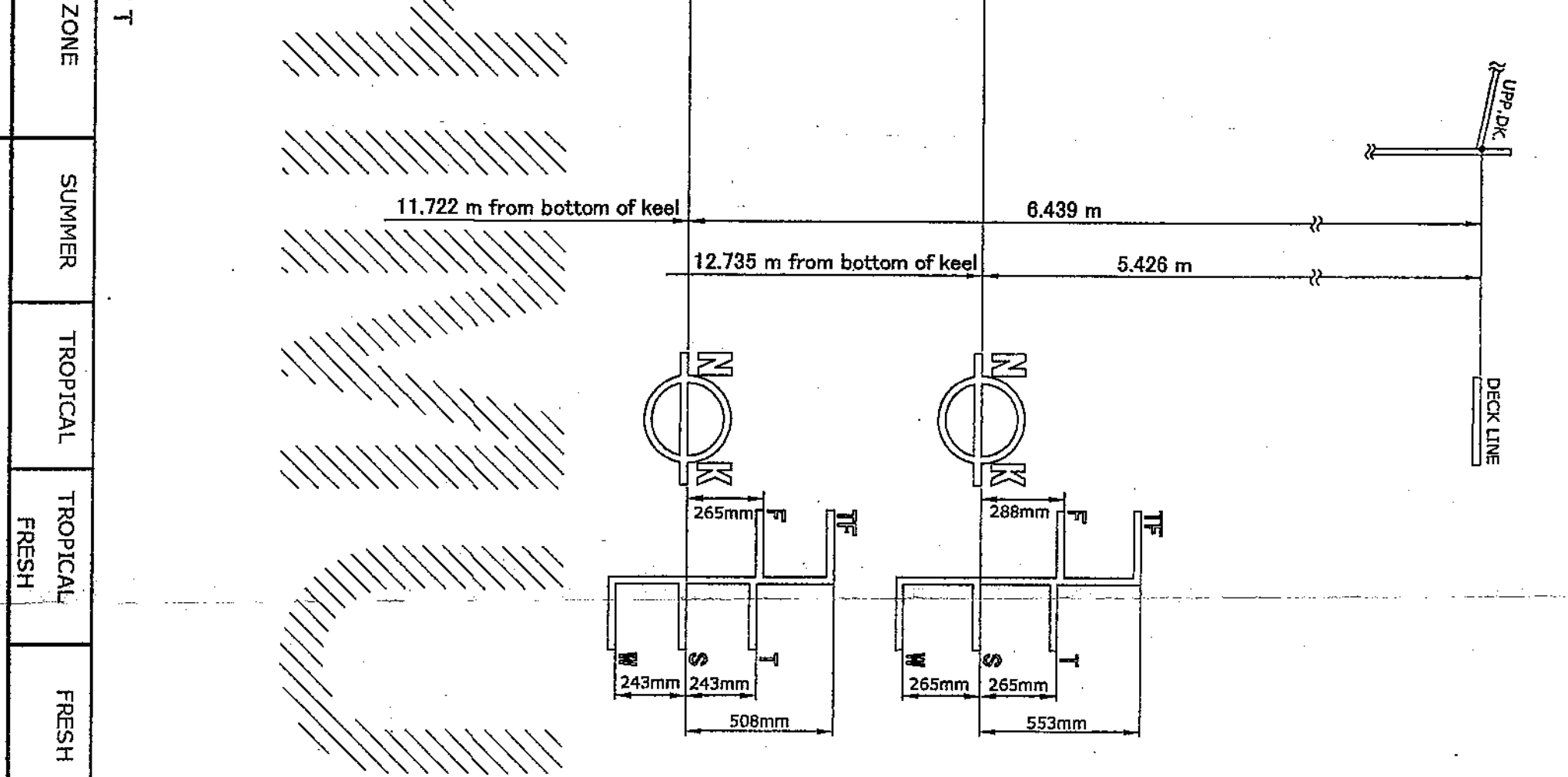
DEADWEIGHT SCALE



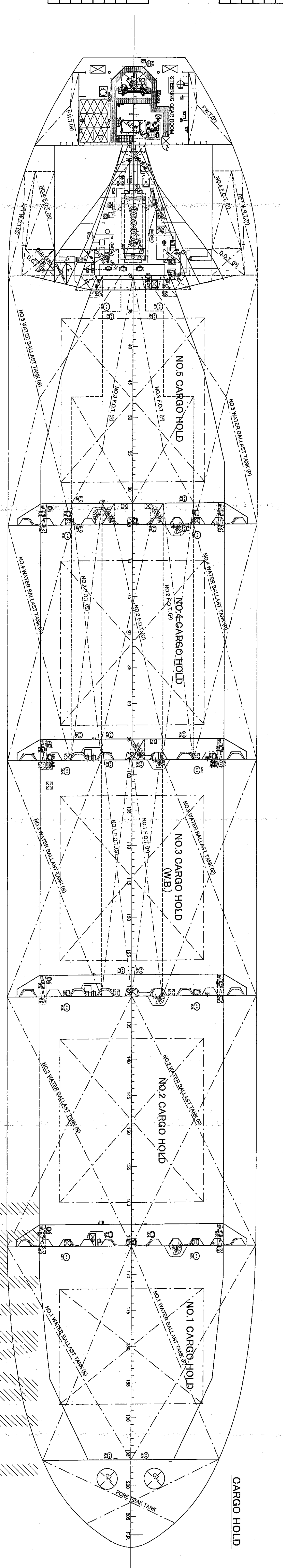
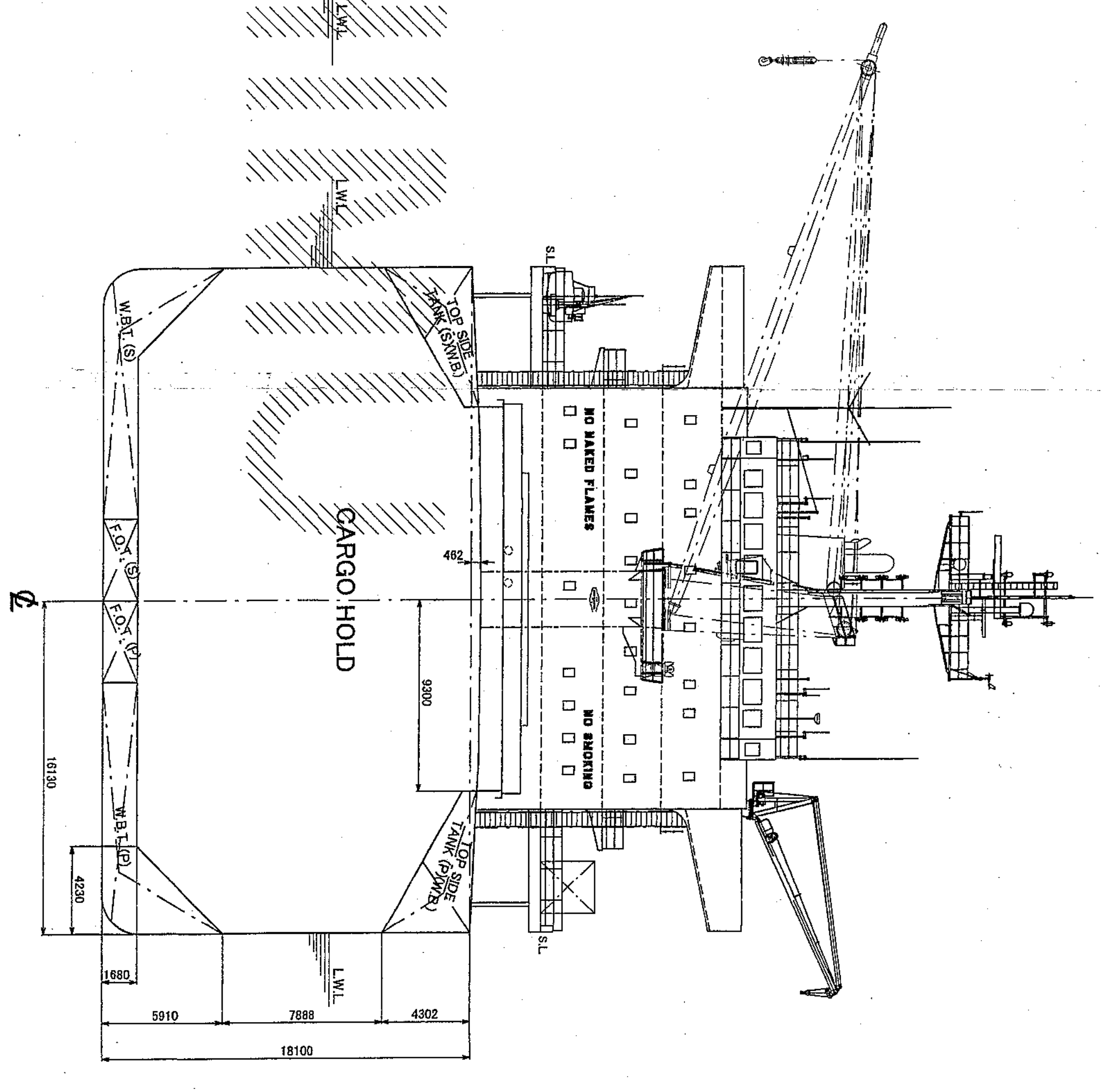
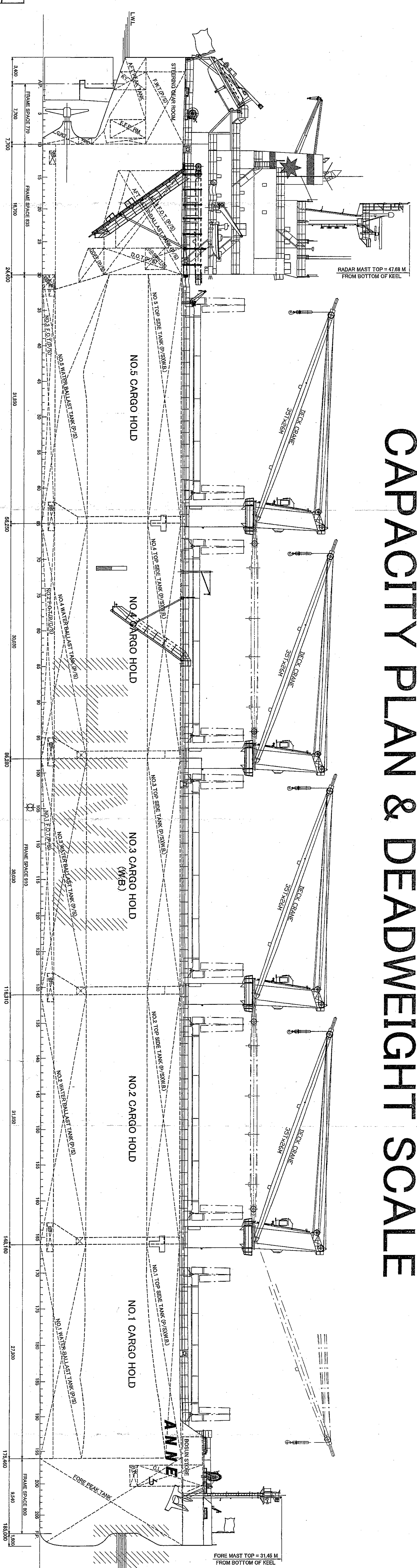
WATER ZONE	SHIPPER	THEORETICAL	FRESH	WINTERS
TOTAL DEPTH (M)	5.428	5.011	4.872	5.138
FRESHBOARD (M)	12.725	14.090	13.289	13.023
DRIFT (CENT.) (M)	65.979	67.288	67.348	68.470
DRIFT WEIGHT (T)	55.272	57.217	55.741	54.239
DEADWEIGHT (T)	54.897	56.533	54.951	53.252
THEORETICAL FRESH	65.932 x 1.000/1.025 = 67.348 (T)			
FRESH	67.519 x 1.000/1.025 = 66.872 (T)			

WATER ZONE	SHIPPER	THEORETICAL	FRESH	WINTERS
TOTAL DEPTH (M)	6.289	6.196	6.291	6.174
FRESHBOARD (M)	11.722	11.935	12.292	11.997
DRIFT (CENT.) (M)	60.126	61.202	61.462	61.214
DRIFT WEIGHT (T)	49.885	51.327	51.395	49.931
DEADWEIGHT (T)	49.203	50.251	50.227	49.253
THEORETICAL FRESH	61.627 x 1.000/1.025 = 61.469 (T)			
FRESH	61.627 x 1.000/1.025 = 61.474 (T)			



CAPACITY PLAN & DEADWEIGHT SCALE



TANK NAME	TYPE	LOCATION	NET CAPACITY (M <sup>3</sup> )	GROSS CAPACITY (M <sup>3</sup> )	WEIGHT (T)	CENTRE OF GRAVITY (M)	HEIGHT (M)
NO.1	Oil	Deck	111	111	111	1.5	1.5
NO.2	Oil	Deck	111	111	111	1.5	1.5
NO.3	Oil	Deck	111	111	111	1.5	1.5
NO.4	Oil	Deck	111	111	111	1.5	1.5
NO.5	Oil	Deck	111	111	111	1.5	1.5
NO.6	Oil	Deck	111	111	111	1.5	1.5
TOTAL			666	666	666		

TANK NAME	TYPE	LOCATION	NET CAPACITY (M <sup>3</sup> )	GROSS CAPACITY (M <sup>3</sup> )	WEIGHT (T)	CENTRE OF GRAVITY (M)	HEIGHT (M)
NO.1	Oil	Deck	111	111	111	1.5	1.5
NO.2	Oil	Deck	111	111	111	1.5	1.5
NO.3	Oil	Deck	111	111	111	1.5	1.5
NO.4	Oil	Deck	111	111	111	1.5	1.5
NO.5	Oil	Deck	111	111	111	1.5	1.5
NO.6	Oil	Deck	111	111	111	1.5	1.5
TOTAL			666	666	666		

TANK NAME	TYPE	LOCATION	NET CAPACITY (M <sup>3</sup> )	GROSS CAPACITY (M <sup>3</sup> )	WEIGHT (T)	CENTRE OF GRAVITY (M)	HEIGHT (M)
NO.1	Oil	Deck	111	111	111	1.5	1.5
NO.2	Oil	Deck	111	111	111	1.5	1.5
NO.3	Oil	Deck	111	111	111	1.5	1.5
NO.4	Oil	Deck	111	111	111	1.5	1.5
NO.5	Oil	Deck	111	111	111	1.5	1.5
NO.6	Oil	Deck	111	111	111	1.5	1.5
TOTAL			666	666	666		

TANK NAME	TYPE	LOCATION	NET CAPACITY (M <sup>3</sup> )	GROSS CAPACITY (M <sup>3</sup> )	WEIGHT (T)	CENTRE OF GRAVITY (M)	HEIGHT (M)
NO.1	Oil	Deck	111	111	111	1.5	1.5
NO.2	Oil	Deck	111	111	111	1.5	1.5
NO.3	Oil	Deck	111	111	111	1.5	1.5
NO.4	Oil	Deck	111	111	111	1.5	1.5
NO.5	Oil	Deck	111	111	111	1.5	1.5
NO.6	Oil	Deck	111	111	111	1.5	1.5
TOTAL			666	666	666		

TANK NAME	TYPE	LOCATION	NET CAPACITY (M <sup>3</sup> )	GROSS CAPACITY (M <sup>3</sup> )	WEIGHT (T)	CENTRE OF GRAVITY (M)	HEIGHT (M)
NO.1	Oil	Deck	111	111	111	1.5	1.5
NO.2	Oil	Deck	111	111	111	1.5	1.5
NO.3	Oil	Deck	111	111	111	1.5	1.5
NO.4	Oil	Deck	111	111	111	1.5	1.5
NO.5	Oil	Deck	111	111	111	1.5	1.5
NO.6	Oil	Deck	111	111	111	1.5	1.5
TOTAL			666	666	666		

HOLD NAME	TYPE	LOCATION	NET CAPACITY (M <sup>3</sup> )	GROSS CAPACITY (M <sup>3</sup> )	WEIGHT (T)	CENTRE OF GRAVITY (M)	HEIGHT (M)
NO.1	Oil	Deck	111	111	111	1.5	1.5
NO.2	Oil	Deck	111	111	111	1.5	1.5
NO.3	Oil	Deck	111	111	111	1.5	1.5
NO.4	Oil	Deck	111	111	111	1.5	1.5
NO.5	Oil	Deck	111	111	111	1.5	1.5
NO.6	Oil	Deck	111	111	111	1.5	1.5
TOTAL			666	666	666		

HOLD NAME	TYPE	LOCATION	NET CAPACITY (M <sup>3</sup> )	GROSS CAPACITY (M <sup>3</sup> )	WEIGHT (T)	CENTRE OF GRAVITY (M)	HEIGHT (M)
NO.1	Oil	Deck	111	111	111	1.5	1.5
NO.2	Oil	Deck	111	111	111	1.5	1.5
NO.3	Oil	Deck	111	111	111	1.5	1.5
NO.4	Oil	Deck	111	111	111	1.5	1.5
NO.5	Oil	Deck	111	111	111	1.5	1.5
NO.6	Oil	Deck	111	111	111	1.5	1.5
TOTAL			666	666	666		

ANNEX  
CAPACITY PLAN & DWSCALE  
H - 1 - 9  
FINISHED PLAN  
IHD Number : 9583294